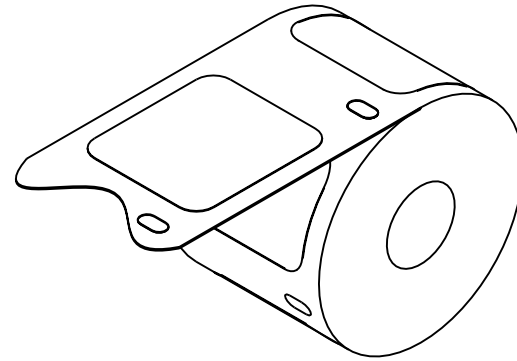
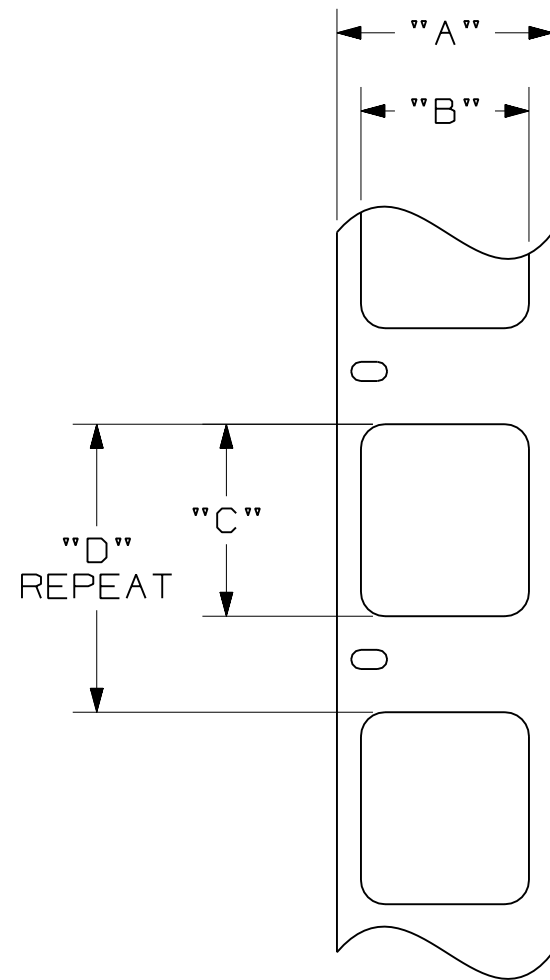


THIS COPY IS PROVIDED ON A RESTRICTED BASIS AND IS NOT TO BE USED IN ANY WAY DETRIMENTAL TO THE INTERESTS OF PANDUIT CORP.



NOTE:
 1. SEE MFG. DWG. NO. A61317.
 2. DIMENSION IN [] ARE IN MILLIMETERS.

PANDUIT PART NO.	MATERIAL	"A"	"B"	"C"	"D"	LABELS/ROLL
C060X020YJC	WHITE POLYESTER GMY4-W	0.85 [21.59]	0.600 [15.24]	0.200 [5.08]	0.500 [12.7]	750
C100X025YJC	WHITE POLYESTER GMY4-W	1.13 [28.70]	1.000 [25.4]	0.250 [6.35]	0.500 [12.7]	500
C100X050YJC	WHITE POLYESTER GMY4-W	1.13 [28.70]	1.000 [25.4]	0.500 [12.7]	0.750 [19.05]	500
C150X075YJC	WHITE POLYESTER GMY4-W	1.13 [28.70]	0.750 [19.05]	1.500 [38.1]	1.750 [44.45]	250
C200X050YJC	WHITE POLYESTER GMY4-W	0.85 [21.59]	0.500 [12.70]	2.000 [50.8]	2.250 [57.15]	200
C200X100YJC	WHITE POLYESTER GMY4-W	1.13 [28.70]	1.000 [25.4]	2.000 [50.8]	2.250 [57.15]	200

CAD FILENAME/LAYERS: I00472LZ_C10412_CxxxxXxxxYJC_00.PRT									
<h1>PANDUIT</h1> CORP TINLEY PARK, ILLINOIS CUSTOMER DRAWING LSB COMPONENT LABELS C***X***YJC									
UNLESS OTHERWISE SPECIFIED, DIMENSIONAL TOLERANCES ARE: (.X) ± .030 (,XXX) ± .015 (.XX) ± ANGLS ±							UNLESS OTHERWISE SPECIFIED, ALL DIMENSIONS ARE GIVEN IN INCHES, THIRD ANGLE PROJECTION		
DRAWN BY: RVU							MAT'L: SEE TABLE		SCALE: NTS
DATE: 5-11-06							DRAWING NO. C10412		DWG SIZE: B
0	5-11-06	RVU	DWY	DRAWING RELEASE			4503	R	
REV	DATE	BY	CHK	DESCRIPTION			ECN	R	CUST SUP